

PICNIC TABLE

MODEL #4214-06 ADA TABLE: 6' TOP & 6' SEATS

SPECIFICATIONS:

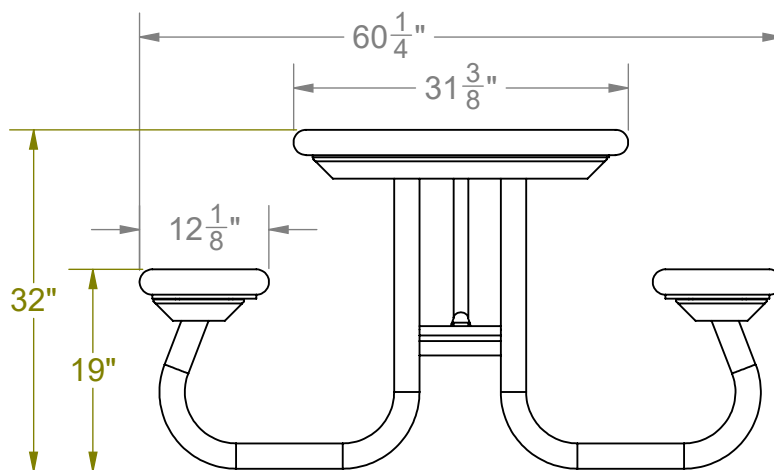
LEG FRAME: One piece welded construction 2-3/8" O.D. steel frame with welded angles.

TABLE TOP & SEATS: 10 GA. 2 3/8" Sheet bolted to a steel tube frame.

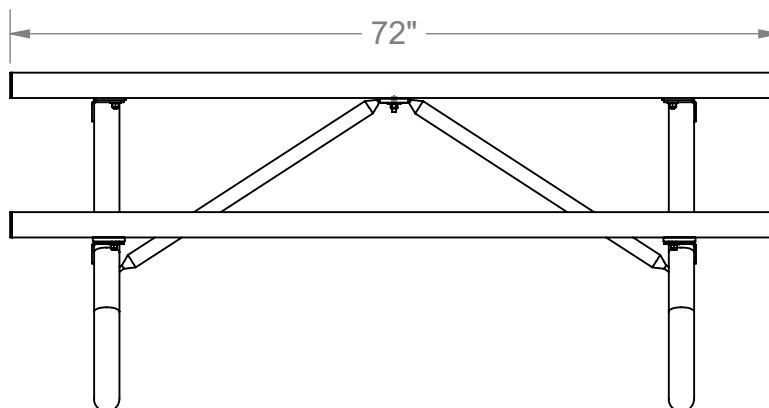
BRACE PIPE: Formed from 1.029" O.D. galvanized steel.

HARDWARE: All hardware is zinc-plated or stainless steel for long, rust-resistant service.

FINISH: Super durable polyester powder coat. (For Powder Coat colors see back-inside cover of PW ATHLETIC CATALOG.)



SIDE VIEW



FRONT VIEW



Date: 6/12/2020

Rev: P1

Drawn: JBN

Sheet: 1 of 8

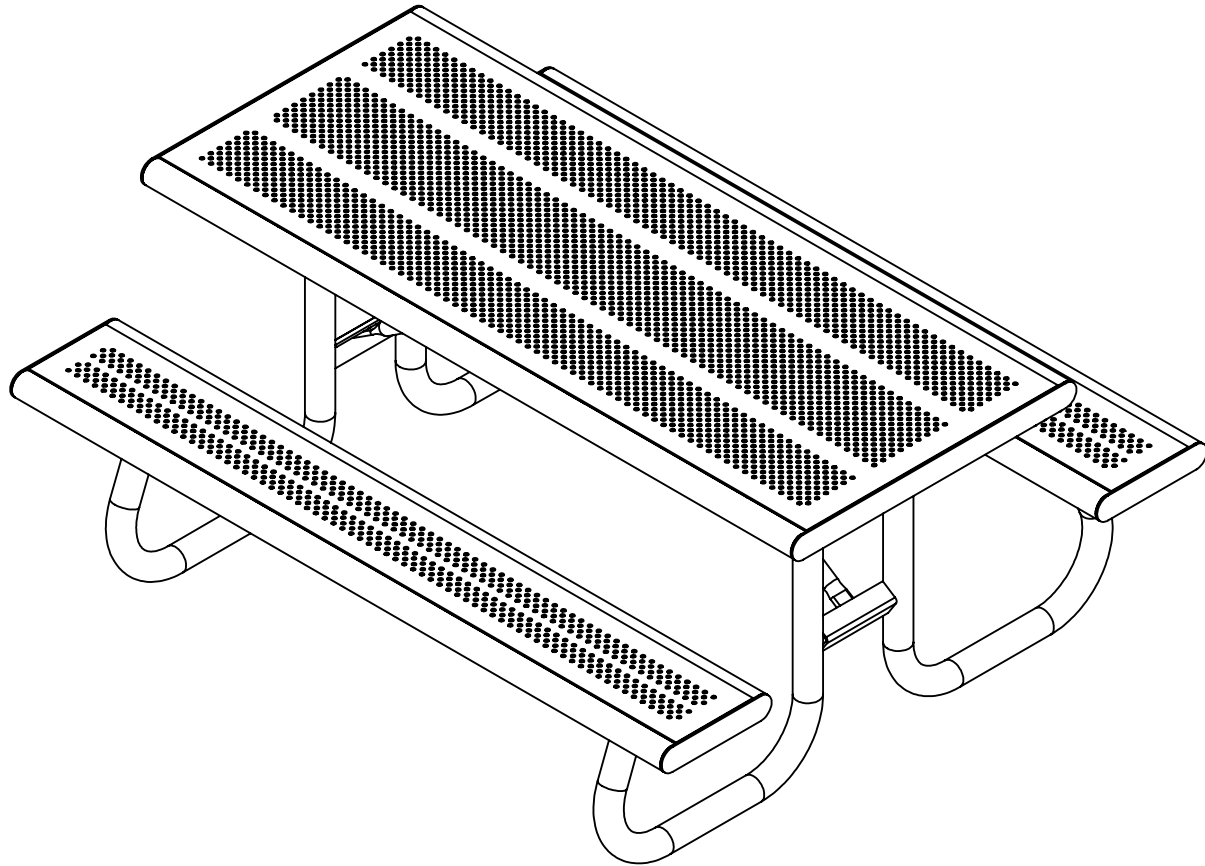
PRODUCT NAME

6' PICNIC TABLE

MODEL NO.

4214-06

ITEM NO.	PART NUMBER	DESCRIPTION	QTY. ADA	
1	ASA-0500-4214-08-G	TABLE FRAME ASSY	1	1
2	ASA-0504-1000-06	TABLE TOP PERFORATED 10GA ASSY	1	1
3	ASA-503-4214-06-ADA2	SEAT FRAME ASSY	2	2
4	ASA-0504-4214-06-G	SEAT TOP PERFORATED 10GA ASSY	2	2
7	HWFLWASS14	1/4" Flat Washer 304 Stainless Steel (5/8 OD .050 Thick)	38	40
8	HWHN14Z	1/4-20 FIN HEX NUT ZINC	38	40
9	HWF38112	3/8 X 1-1/2 FENDER WASHER ZINC	1	1
10	HWSSFLW38	3/8" SS FLAT WASHER	34	34
11	HWLNSS38	3/8"X16 Nylok Nut 18.8 Stainless Steel	17	17
12	HWHBSS38114	3/8-16 X 1 1/4 GR5 C/S Stainless Steel HEX BOLT	16	16
13	HWHBSS38112	3/8-16 X 1 1/2 GR5 C/S Stainless Steel HEX BOLT	1	1
12	ASA-0500-4214-08-G	J-FRAME	2	2
13	RT-0019-1000-G	6' TABLE BRACE	2	2
14	HWSPLWSS14	1/4" split lock washer 18-8 stainless steel	38	40



ISOMETRIC



Date: 6/12/2020

Rev: P1

Drawn: JBN

Sheet: 2 of 8

PRODUCT NAME

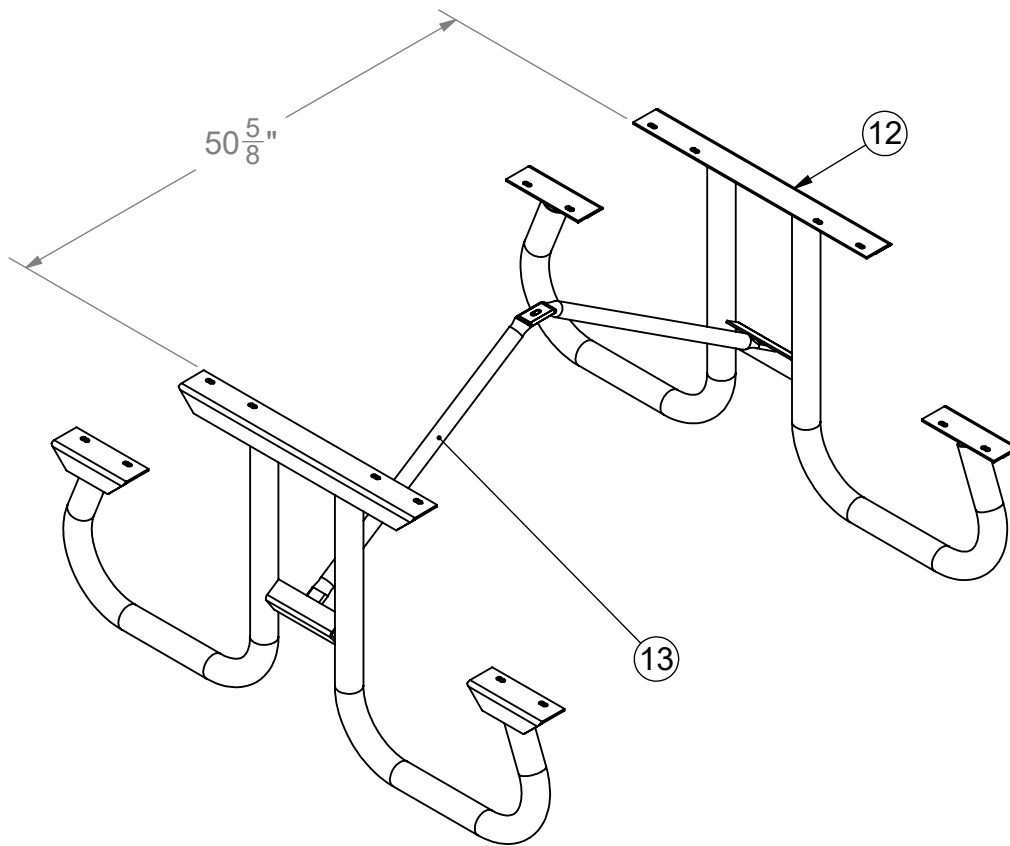
6' PICNIC TABLE

MODEL NO.

4214-06

INSTRUCTIONS:

1) Take both J-Frames Item ① and set on the ground about $50 \frac{5}{8}$ " apart as shown below.



ISOMETRIC



Date: 6/12/2020

Rev: P1

Drawn: JBN

Sheet: 3 of 8

PRODUCT NAME

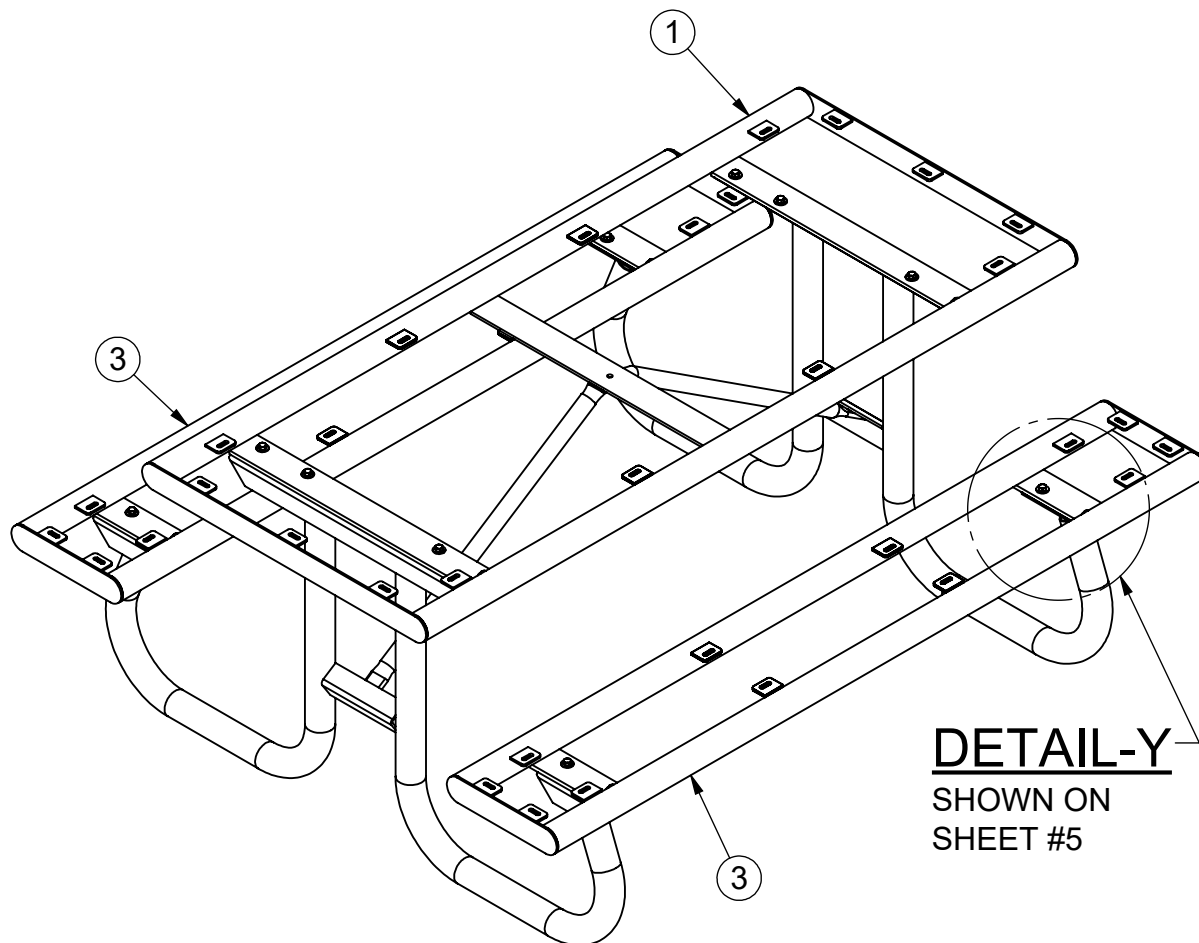
6' PICNIC TABLE

MODEL NO.

4214-06

INSTRUCTIONS:

2) Take both Seat Frame Assemblies Item (4), Table Frame Assembly Item (2) and bolt to J-Frames Item (1) using 3/8"x 1 1/4" Hex Bolt Item (12), 3/8" washer Item (10) and 3/8" Nut Item (11) as shown below and on sheet #5.



DETAIL-Y
SHOWN ON
SHEET #5

ISOMETRIC



Date: 6/12/2020

Rev: P1

Drawn: JBN

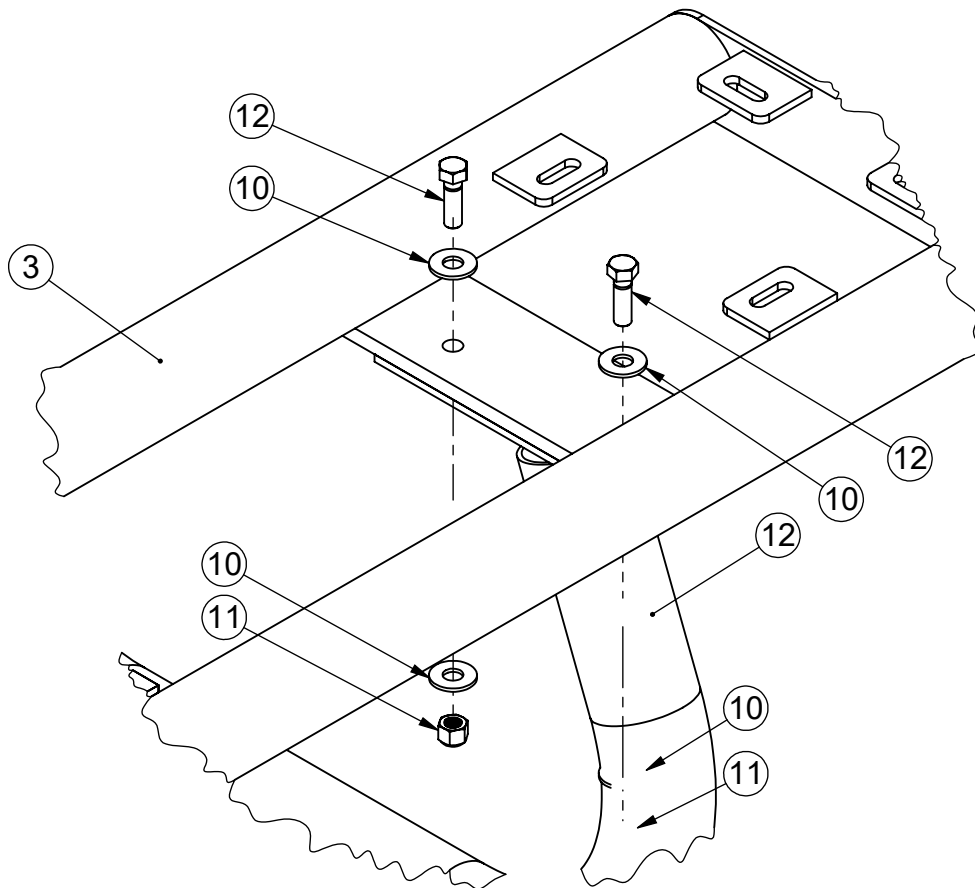
Sheet: 4 of 8

PRODUCT NAME

6' PICNIC TABLE

MODEL NO.

4214-06



DETAIL-Y
FROM SHEET #4



Date: 6/12/2020

Rev: P1

Drawn: JBN

Sheet: 5 of 8

PRODUCT NAME

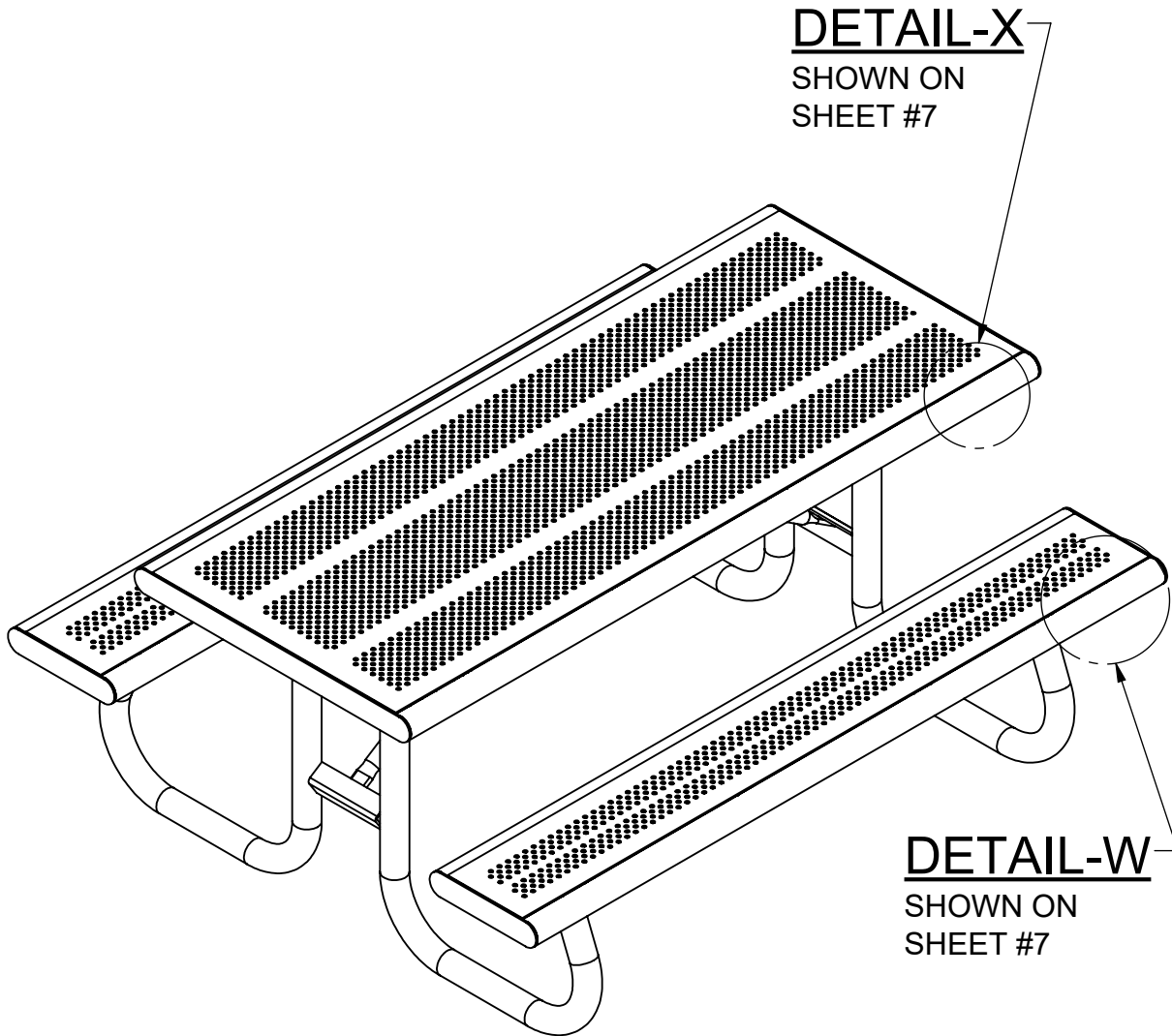
6' PICNIC TABLE

MODEL NO.

4214-06

INSTRUCTIONS:

3) Take both Seat Top Perforated 10GA. Assemblies Item (5) , Table Top Perforated 10GA. Assembly Item (3) and bolt to Seat Frame Assemblies Item (4) and Table Frame Assembly Item (2) using 1/4" washer Item (7) and 1/4" Nut Item (8) as shown below and on sheet #7.



Date: 6/12/2020

Rev: P1

Drawn: JBN

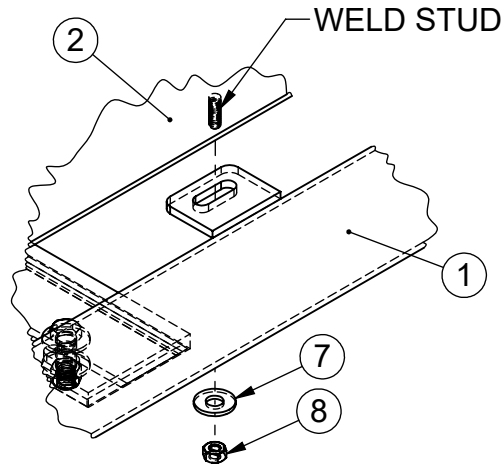
Sheet: 6 of 8

PRODUCT NAME

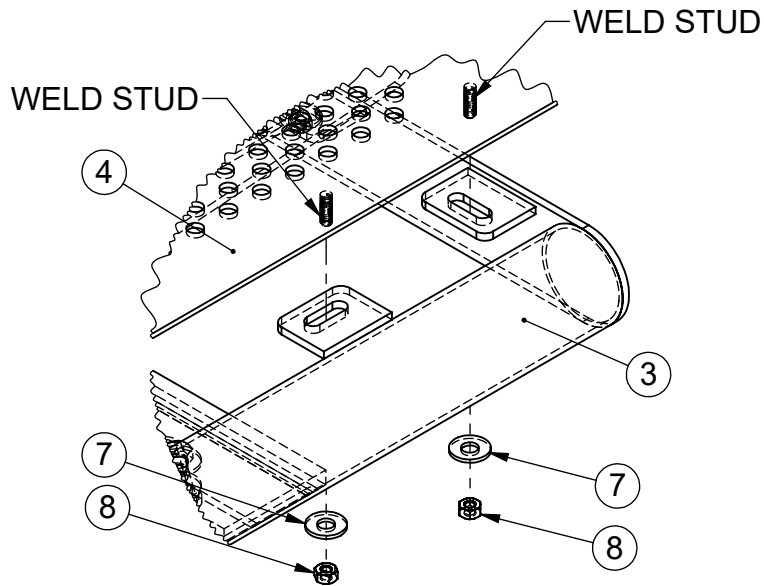
6' PICNIC TABLE

MODEL NO.

4214-06



DETAIL-X
FROM SHEET #6



DETAIL-W
FROM SHEET #6



Date: 6/12/2020

Rev: P1

Drawn: JBN

Sheet: 7 of 8

PRODUCT NAME

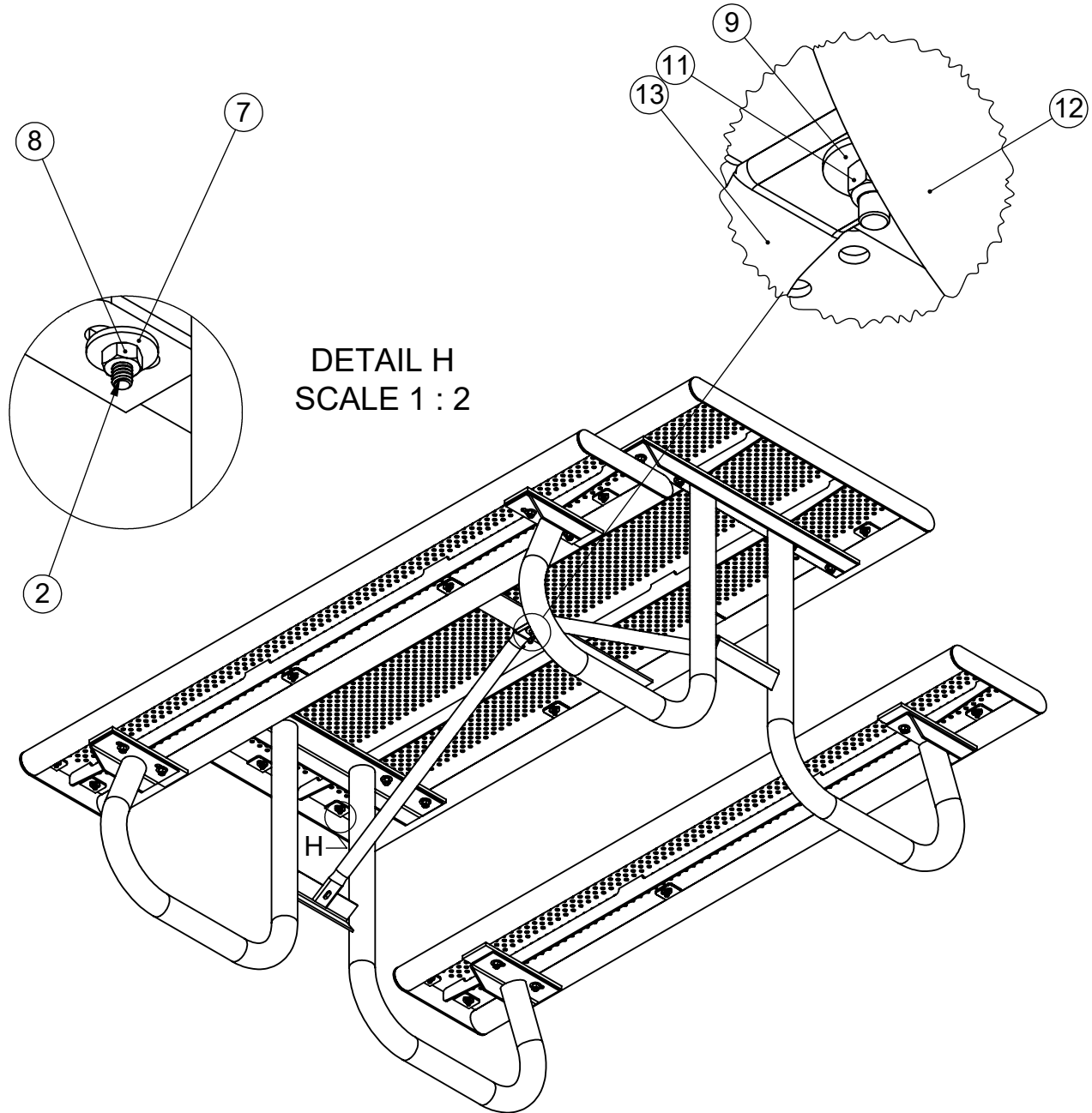
6' PICNIC TABLE

MODEL NO.

4214-06

INSTRUCTIONS:

4) Take 6' Table Brace Item (6), bolt to Table Frame Assembly Item (2) and to J-Frames Item (1) as shown below.



ISOMETRIC



Date: 6/12/2020

Rev: P1

Drawn: JBN

Sheet: 8 of 8

PRODUCT NAME

6' PICNIC TABLE

MODEL NO.

4214-06